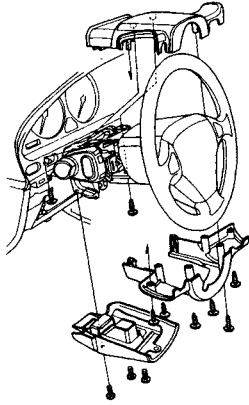


Electronic Components

Steering Angle Sensor Replacement

Removal:

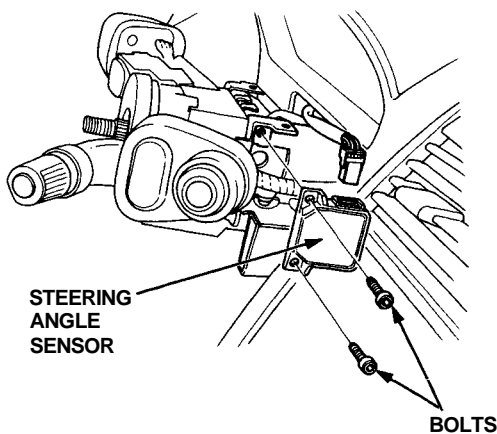
1. Remove the steering column covers.



2. Disconnect the 5-P connector from the steering angle sensor.
3. Remove the steering angle sensor mounting bolts, then remove the steering angle sensor.

NOTE: Take care not to drop the adjusting shim used between the steering angle sensor and sensor mounting bracket.

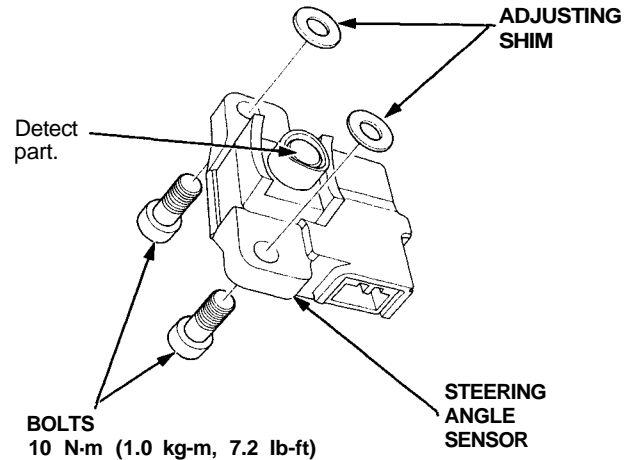
CAUTION: Take care not to damage or drop the steering angle sensor as it is sensitive.



Installation:

1. Install the steering angle sensor by tightening 2 bolts and make sure the adjusting shim is installed properly.

CAUTION: Do not apply any grease or oil to the adjusting shim.



2. Connect the 5-P connector to the steering angle sensor.
3. Install the steering column covers.
4. Perform the steering angle sensor system check (See page 19-96).
If there is an abnormality, check the troubleshooting flowchart (see page 19-96).

NOTE:

- There is no need to select (replace) the shim when the steering angle sensor is replaced.
Use the original shim.
- Selection (Replacement) of the adjusting shim (for adjusting the air gap) is required only when the steering column assembly (without the sensor) is replaced.



Selection of the adjusting shim for the steering angle sensor air gap adjustment.

NOTE:

- The adjustment of the air gap between the steering shaft and the steering angle sensor should be carried out in order to obtain adequate sensor output.
- The adjusting shim reference number is stamped on the steering column. Adequate air gap can be kept by selecting the adjusting shim with the reference number.

Selection of The Adjusting Shim

Reference Number	Shim (P/N): (Thickness)
1	Not used: (0 mm)
2	A: (0.1 mm)
3	B: (0.2 mm)
4	A + B: (0.3 mm)
5	C: (0.4 mm)
6	A + C: (0.5 mm)
7	B + C: (0.6 mm)
8	D: (0.7 mm)

Adjusting Shim

Parts Number	Thickness	Color
A: 53395-SL0-A01	0.1 mm	Yellow
B: 53396-SL0-A01	0.2 mm	Black
C: 53397-SL0-A01	0.4 mm	Green
D: 53398-SL0-A01	0.7 mm	White

Reference Number Locations

