



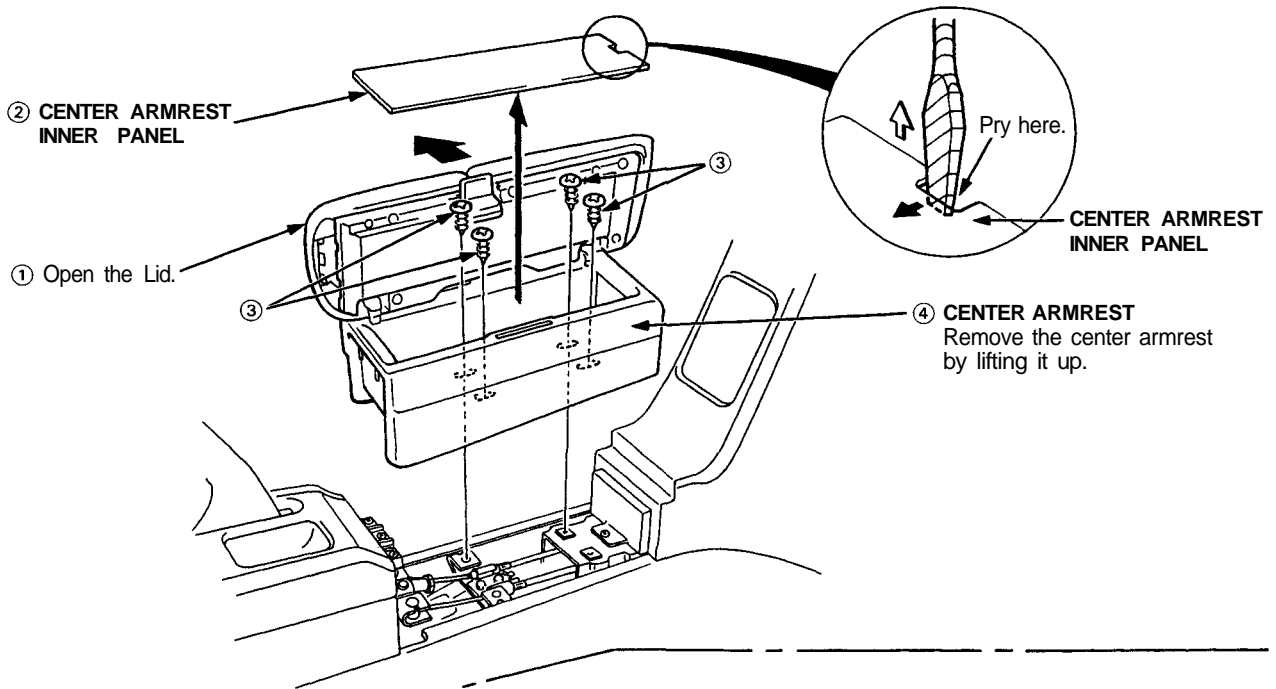
# Center Armrest

## Replacement

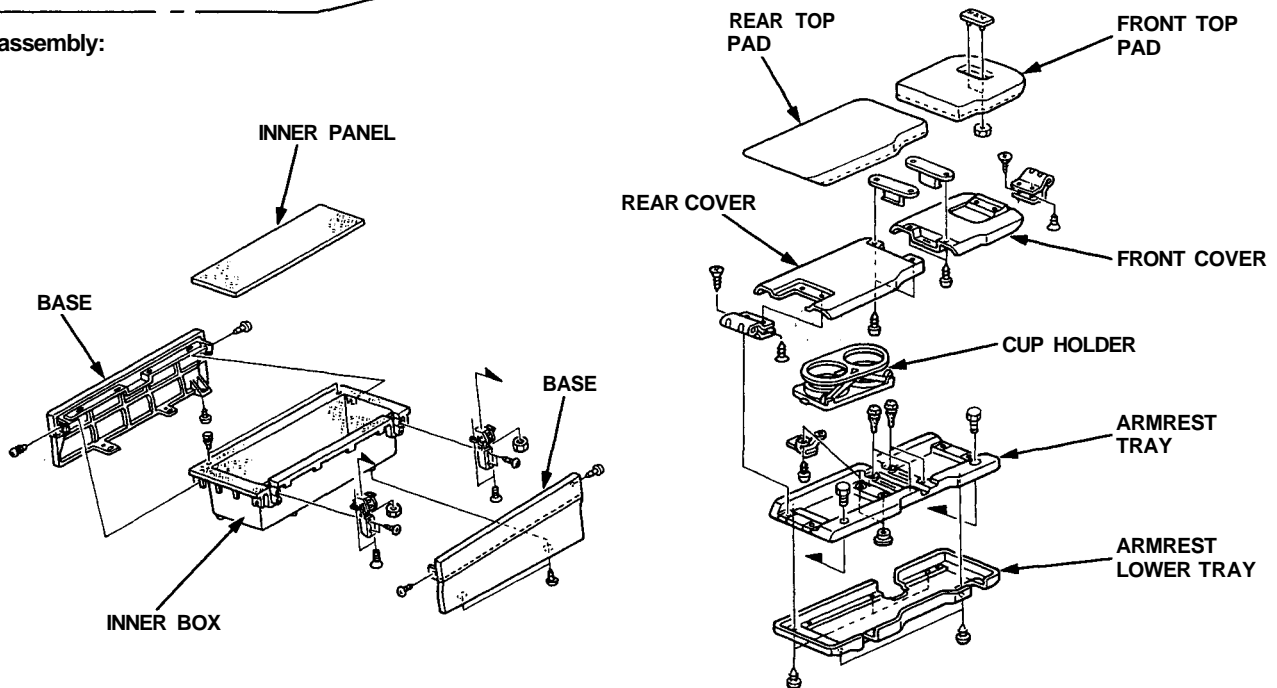
**CAUTION:** When removing the center armrest inner panel, wrap the flat tip screwdriver with protective tape or a shop towel to prevent damage.

**NOTE:** Take care not to scratch the center armrest, dashboard and rear center trim panel.

Disassemble in numbered sequence.



### Disassembly:



Installation is the reverse of the removal procedure.