

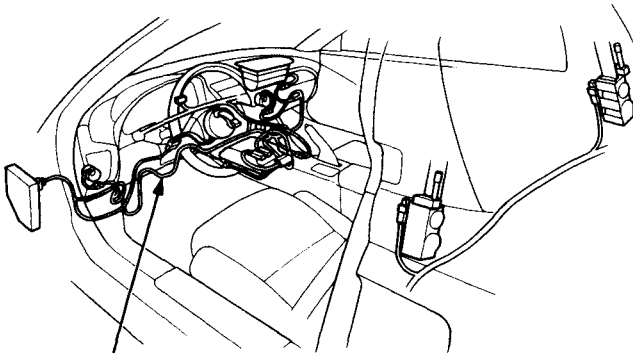


# Steering Lock Removal/Installation

SRS wire harness is routed near the steering lock assembly.

**CAUTION:**

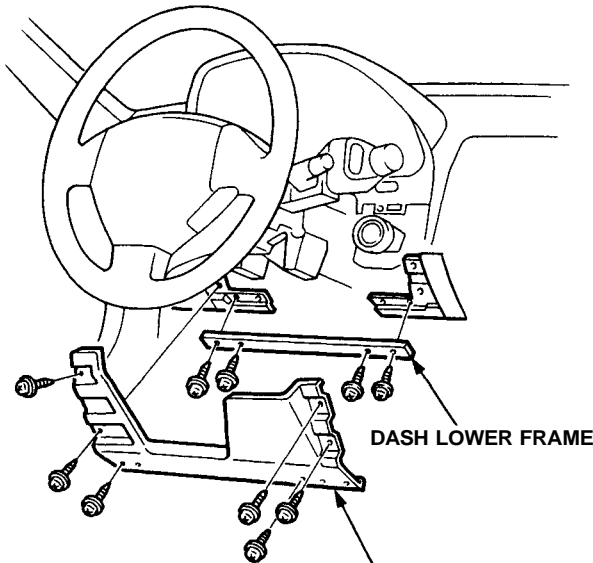
- All SRS wiring harnesses are covered with yellow outer insulation.
- Before disconnecting any part of the SRS wire harness, install the short connectors (see page 23-328).
- Replace the entire affected SRS harness assembly if it has an open circuit or damaged wiring.



SRS MAIN HARNESS

**Removal:**

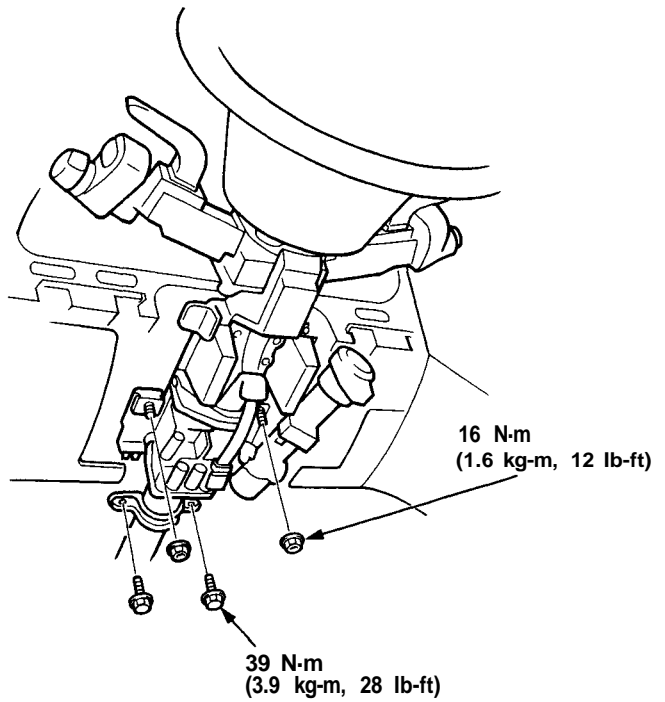
1. Remove the dashboard lower cover and knee bolster pad.
2. Remove the steering column covers.
3. Remove the knee bolster and dash lower frame.



DASH LOWER FRAME

KNEE BOLSTER

4. Remove the column holder mounting bolts.
5. Remove the mounting nuts.



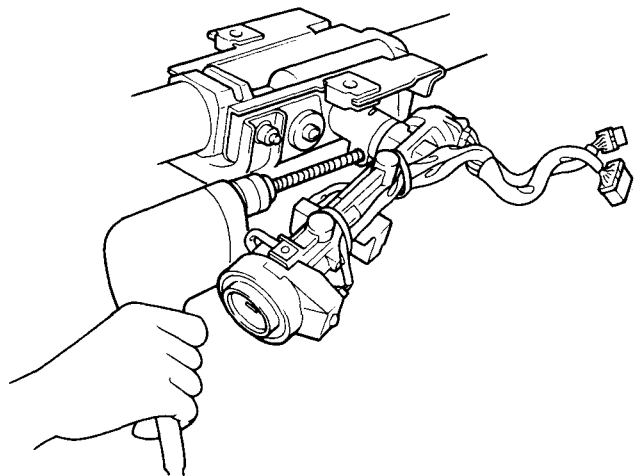
16 N·m  
(1.6 kg-m, 12 lb-ft)

39 N·m  
(3.9 kg-m, 28 lb-ft)

6. Disconnect the 7-P and 8-P connectors.
7. Lower the steering column assembly.
8. Center punch the shear bolt and drill its head off with a 5 mm (3/16 in) drill bit.

**CAUTION: Do not damage the switch body.**

9. Remove the shear bolt from the switch body.

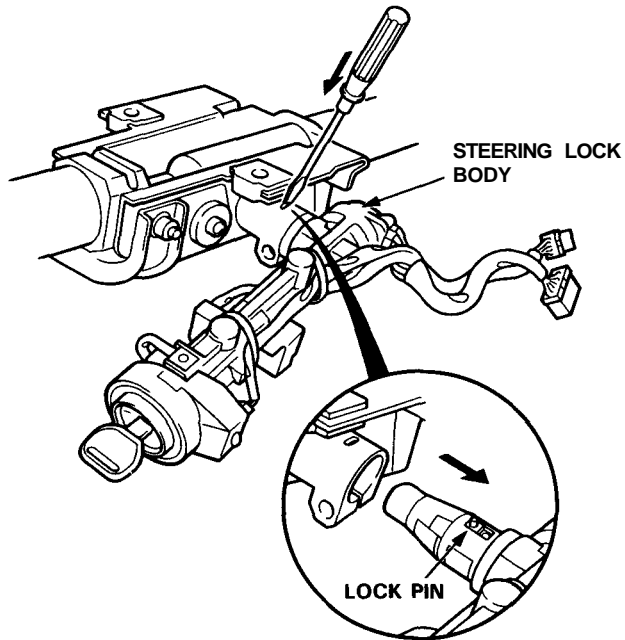


(cont'd)

# Ignition Switch

## Steering Lock Removal/Installation (cont'd)

10. Insert the key and turn it to "I".



11. Push the lock pin and pull out the steering lock assembly.

### Installation:

1. Turn the key to "I", push the pin and insert the steering lock assembly into the steering column until it clicks into place.
2. Loosely tighten the new shear bolt. Make sure the projection on the ignition switch is aligned with the hole in the steering column.
3. Insert the ignition key and check for proper operation of the steering wheel lock and that the ignition key turns freely.
4. Tighten the shear bolt until the hex head twists off.

