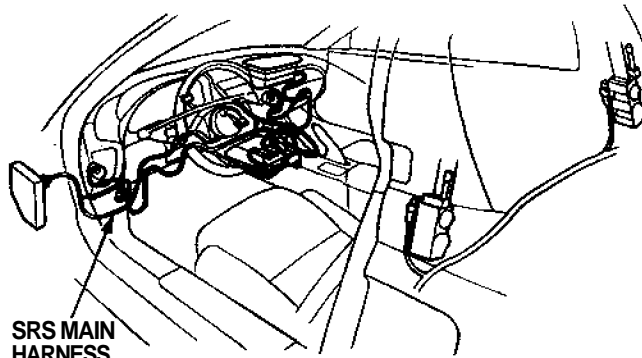


Rear Window Defogger

Component Location Index

CAUTION:

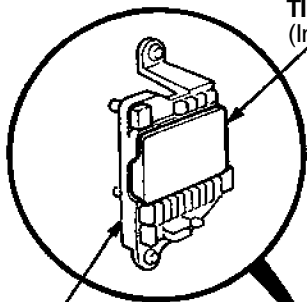
- All SRS wiring harnesses are covered with yellow outer insulation.
- Before disconnecting any part of the SRS wire harness, install the short connectors (see page [24-10](#)).
- Replace the entire affected SRS harness assembly if it has an open circuit or damaged wiring.



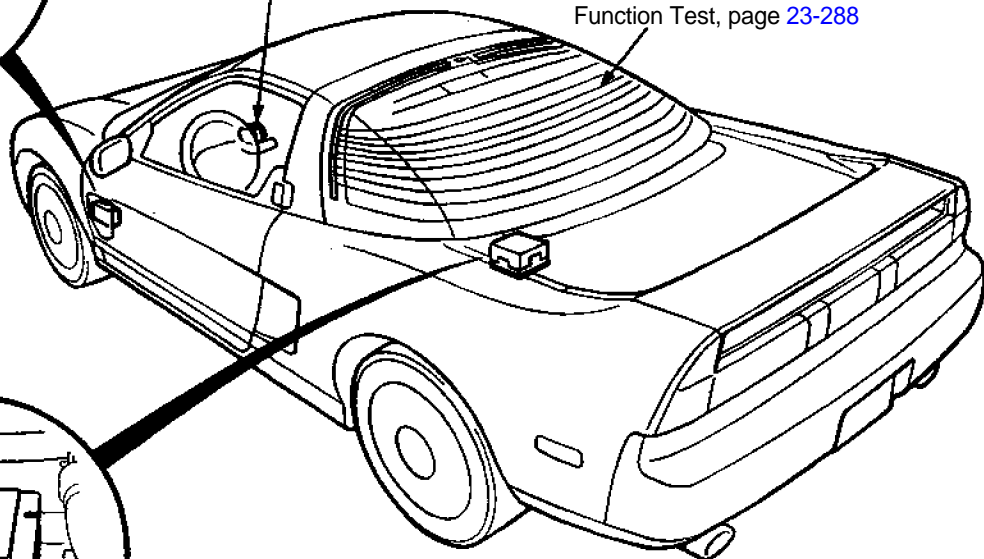
REAR WINDOW DEFOGGER
TIMER CIRCUIT
(In the integrated control unit)

REAR WINDOW
DEFOGGER SWITCH
Removal, page [23-277](#)
Test, page [23-279](#)

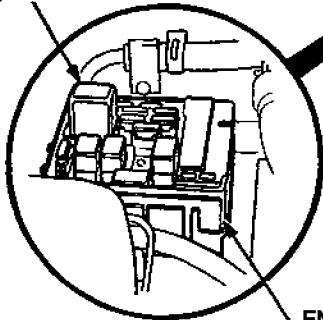
REAR WINDOW DEFOGGER
Function Test, page [23-288](#)



UNDER-DASH FUSE BOX



REAR WINDOW
DEFOGGER REALV
Test, page [23-278](#)



ENGINE COMPARTMENT
FUSE/RELAY BOX

Description

The rear window defogger is controlled by the integrated control unit. When the defogger switch in the combination switch is pushed, it sends a signal to the defogger timer in the integrated control unit and the defogger stays on for 25 (40 minutes for Canada models) minutes or until the ignition switch is turned off. The indicator light in the switch shows when the defogger is on.