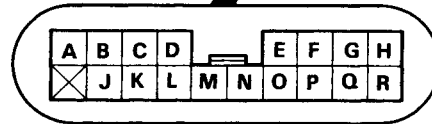
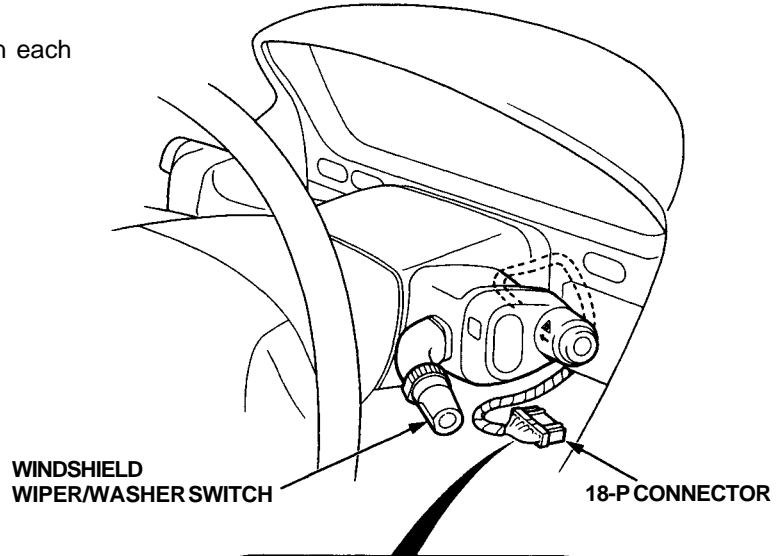


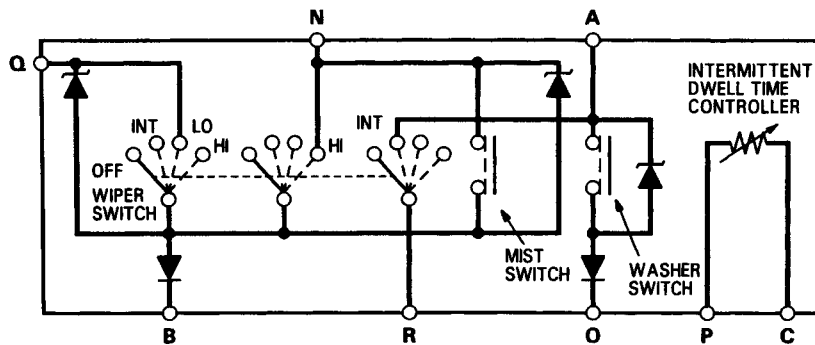
# Wipers/Washers

## Windshield Wiper/Washer Switch Test

1. Remove the dashboard lower cover (see page 23-126).
2. Disconnect the 18-P connector from the floor wire harness.
3. Check for continuity between the terminals in each switch position according to the table.



View from wire side



Terminal	A	B	C	N	O	P	Q	R
Position								
INT	○							○
LO		○		◀			○	
HI		○		◀	○			
Mist switch "ON"		○		◀	○	▶		○
Washer switch "ON"	○			▶		○		
Intermittent dwell time controller turned			○		◻	○		

0-10K Ω