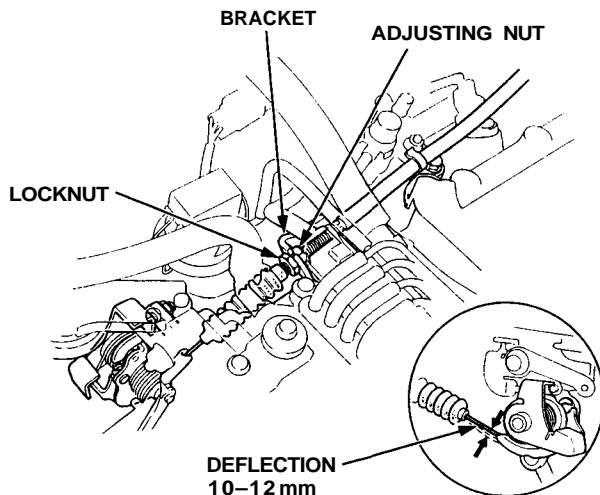




Throttle Cable

Inspection/Adjustment

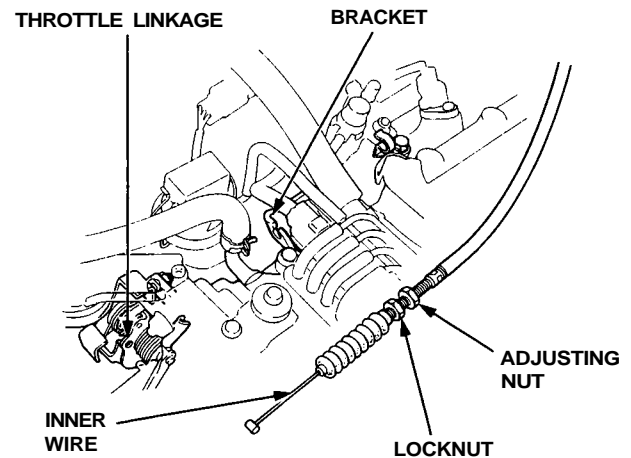
1. Warm up the engine to normal operating temperature (cooling fan comes on).
2. Check that the throttle cable operates smoothly with no binding or sticking. Repair as necessary.
3. Check cable free play at the throttle linkage. Cable deflection should be 10-12 mm (0.39-0.47 in.)



4. If deflection is not within specs, loosen the lockout and turn the adjusting nut until the deflection is as specified.
5. With the cable properly adjusted, check the throttle valve to be sure it opens fully when you push the accelerator pedal to the floor. Also check the throttle valve to be sure it returns to the idle position whenever you release the accelerator.

Installation

1. Fully open the throttle valve, then install the throttle cable in the throttle linkage and install the cable housing in the cable bracket.
2. Warm up the engine to normal operating temperature (the cooling fan comes on).



3. Hold the cable sheath, removing all slack from the cable.
4. Turn the adjusting nut until it is 3 mm away from the cable bracket.
5. Tighten the locknut. The cable deflection should now be 10-12 mm. If not, see Inspection/Adjustment.

