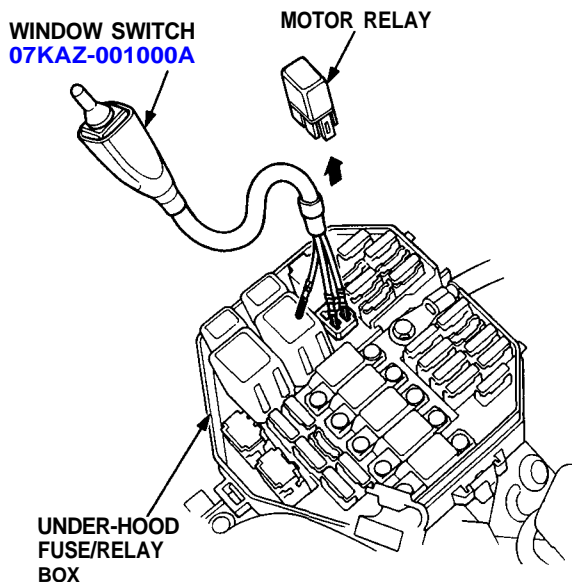


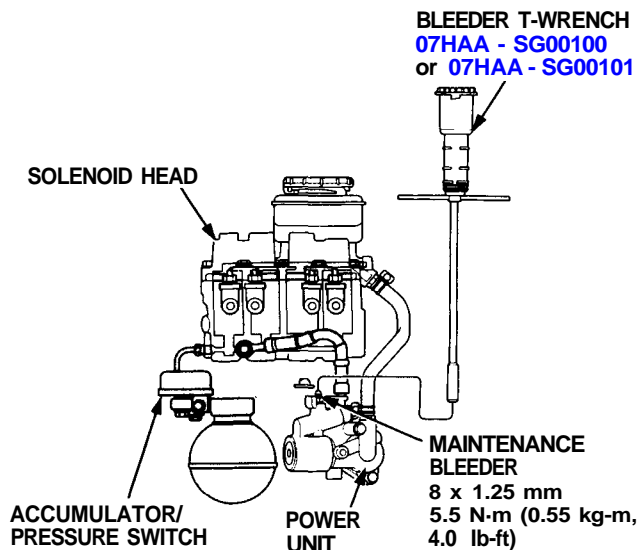


## Solenoid Flushing

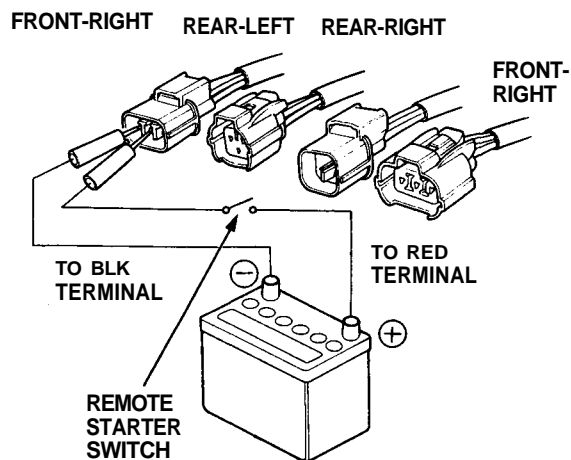
1. Remove the motor relay from the under-hood fuse/relay box. (Location: page 19-40)
2. Install the auxiliary window switch (07KAZ—001000A) into the two motor relay cavities in the relay box.



3. Disconnect the four modulator solenoid connectors.
4. Bleed any high-pressure fluid from the maintenance bleeder with the Bleeder T-Wrench, then retighten the bleeder.



5. Connect the RED terminal from one solenoid to the battery positive (+) terminal with a remote starter switch. Connect the BLK terminal from the same solenoid to the battery negative (-) terminal with a jumper lead as shown.



6. Press the auxiliary switch to run the pump. After the pump has run for about five seconds, press and release the remote starter switch three or four times to open and close the solenoid. Continue running the pump for about 30 seconds, then release the auxiliary switch and open and close the solenoid another three or four times.
7. Repeat steps 4-6 for the other two solenoids.
8. Reconnect the solenoids and the pump relay.
9. Connect the ALB Checker and turn the Mode Selector to "1". Start the engine and release the parking brake. Push the Start Test button on the ALB Checker.
10. While the pump is running, place your finger over the top of the solenoid return tube in the modulator reservoir and check for leaks.

- If a solenoid is still leaking, replace the modulator/solenoid unit.