



Dashboard/Center Armrest

Component Removal/Installation

SRS wire harnesses are routed near the dashboard.

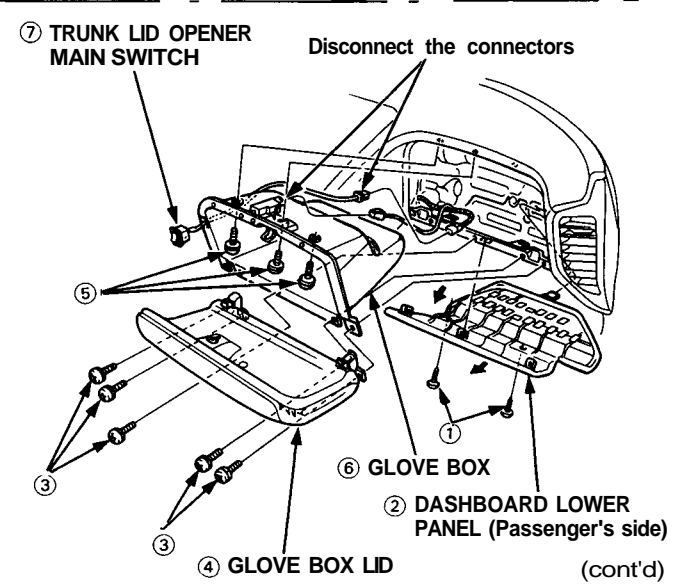
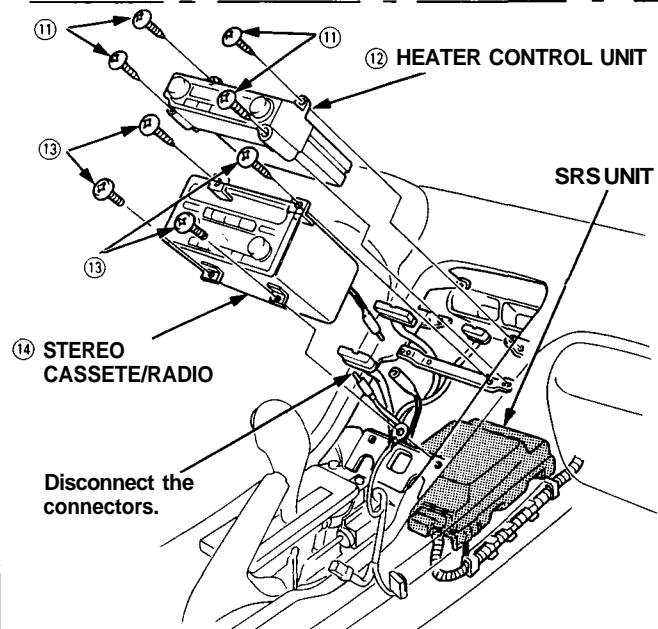
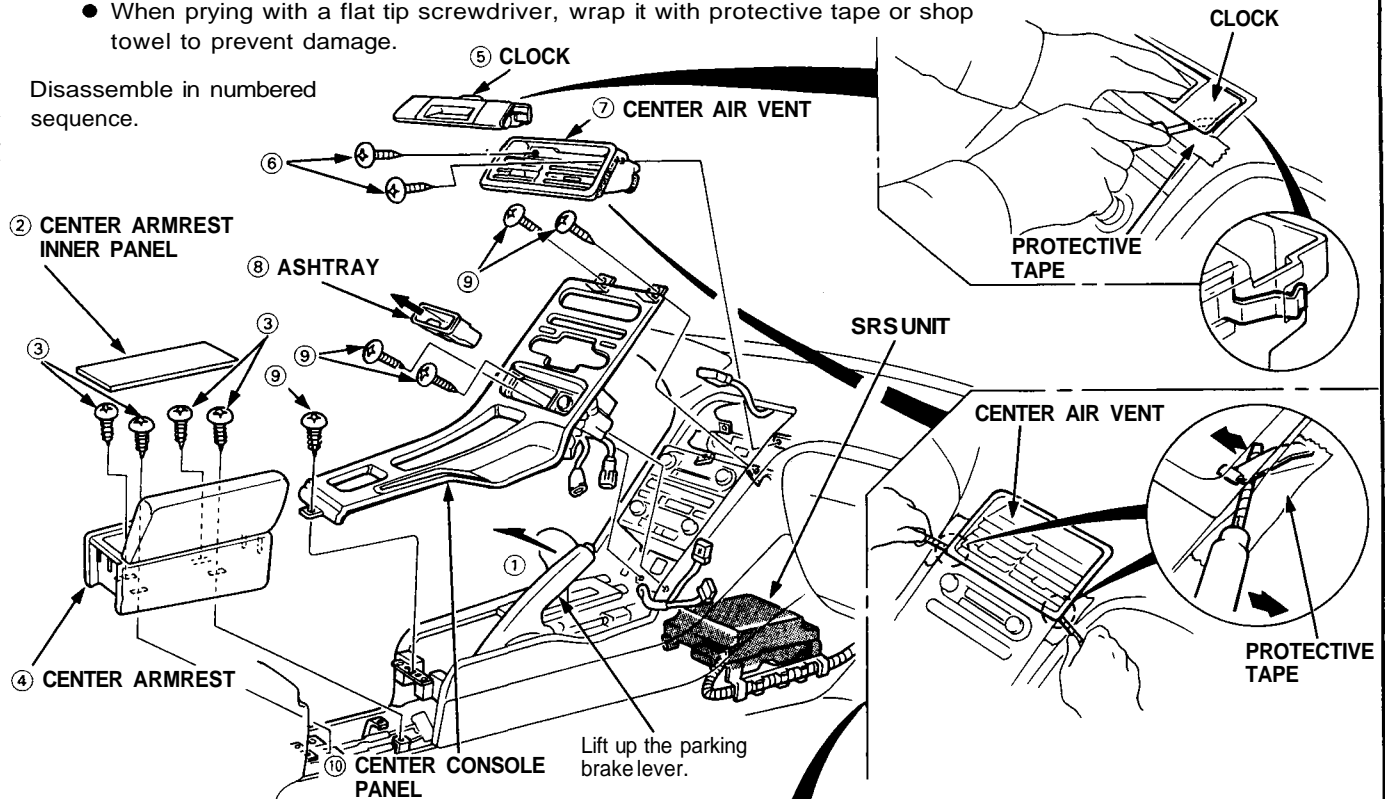
CAUTION:

- All SRS electrical wiring harnesses are covered with yellow outer insulation.
- Before disconnecting the SRS wire harness, install the short connector on the airbag (see page 23-323).
- Replace the entire effected SRS harness assembly if it has an open circuit or damaged wiring.

NOTE:

- Take care not to scratch or score the dashboard.
- Do not drop the screws inside the dashboard.
- When prying with a flat tip screwdriver, wrap it with protective tape or shop towel to prevent damage.

Disassemble in numbered sequence.



Dashboard

Component Removal/Installation (cont'd)

SRS wire harnesses are routed near the steering column.

CAUTION:

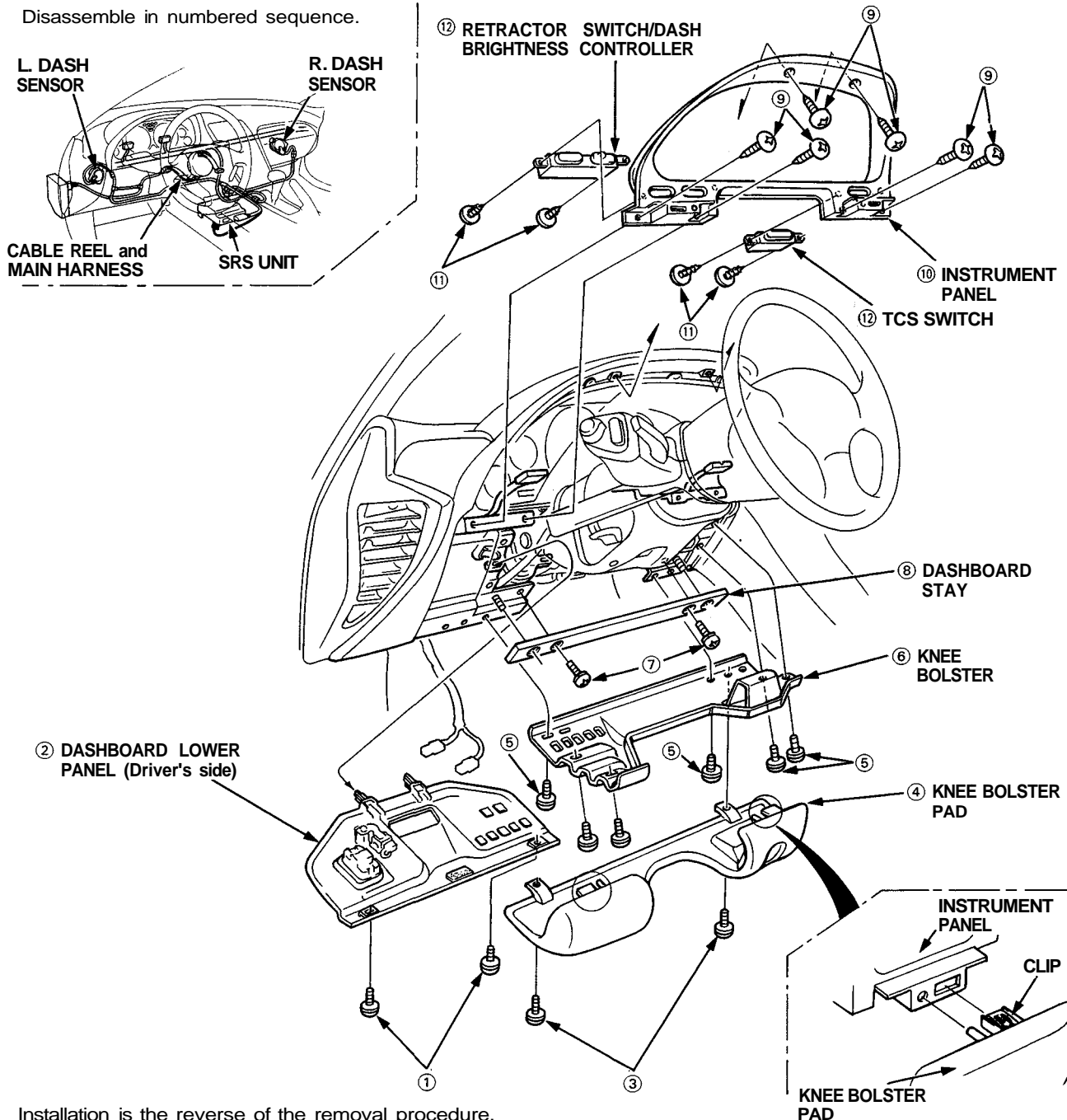
- All SRS electrical wiring harnesses are covered with yellow outer insulation.
- Before disconnecting the SRS wire harness, install the short connector on the airbag (see page 23-323).
- Replace the entire effected SRS harness assembly if it has an open circuit or damaged wiring.

Driver's Side:

NOTE:

- Take care not to scratch or score the dashboard and steering column.
- When prying with a flat tip screwdriver, wrap it with protective tape or shop towel to prevent damage.

Disassemble in numbered sequence.



Installation is the reverse of the removal procedure.