

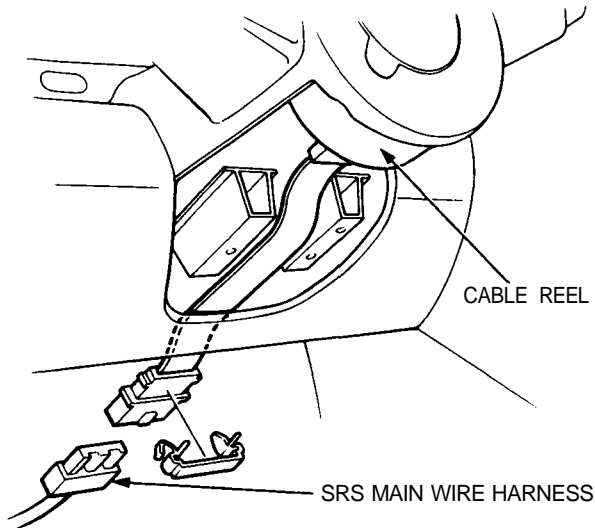


Steering Lock Replacement

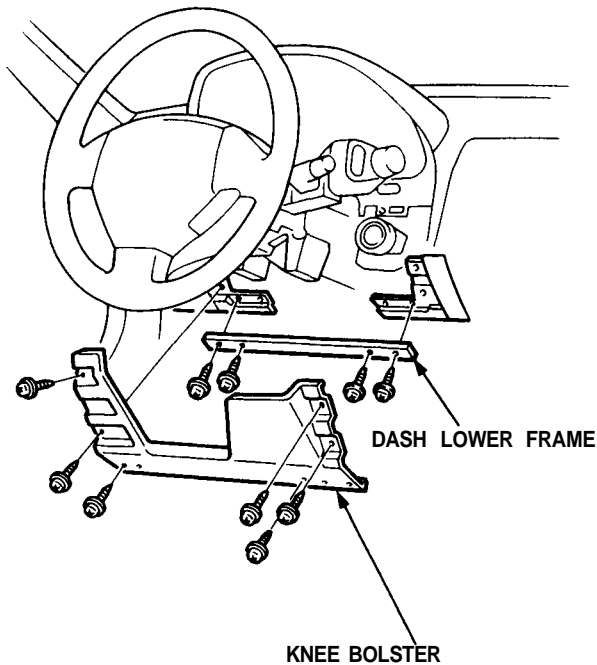
SRS wire harness is routed near the steering lock assembly.

CAUTION:

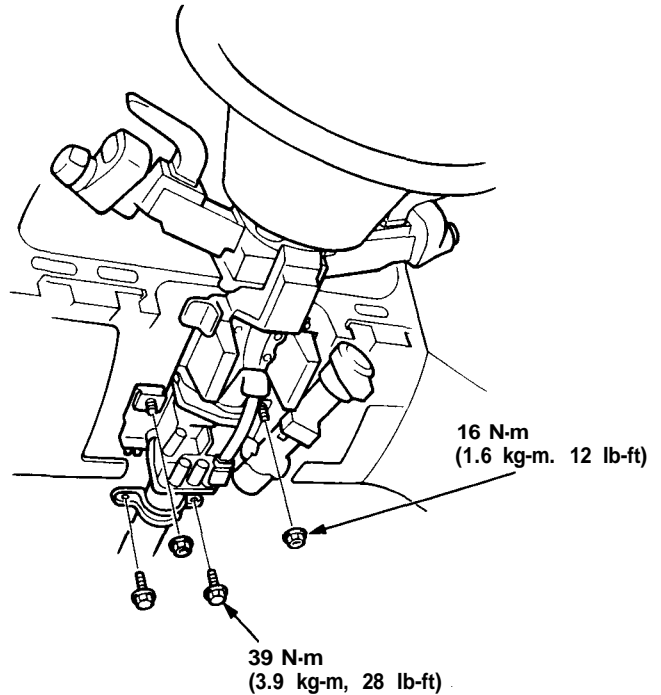
- All SRS electrical wiring harnesses are covered with yellow outer insulation.
- Before disconnecting the SRS wire harness, install the short connector on the airbag (see page 23-323).
- Replace the entire affected SRS harness assembly if it has an open circuit or damaged wiring.



1. Remove the dashboard lower and center panels.
2. Remove the steering column covers.
3. Remove the knee bolster and dash lower frame.
4. Disconnect the 7-P and 6-P connectors.



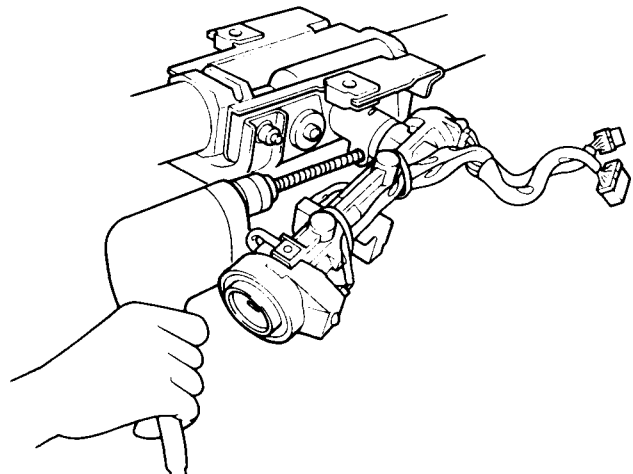
4. Remove the column holder mount bolts.
5. Remove the mounting nuts.



6. Lower the steering column assy.
7. Center punch each of the shear bolts and drill their heads off with a 3/16 in. drill bit.

CAUTION: Do not damage the switch body when removing the shear bolt head.

8. Remove the shear bolts from the switch body.



NOTE: The illustration shows A/T.

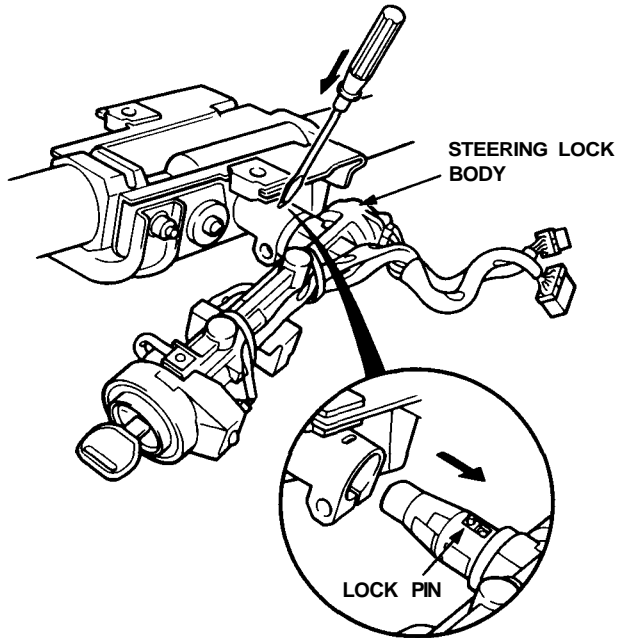
(cont'd)

Ignition Switch

Steering Lock Replacement (cont'd)

9. Insert the key and turn it to "1".

NOTE: The illustration shows A/T.



10. Push the lock pin and pull out the steering lock assembly.

11. Turn the key to "1", push the pin and insert the steering lock assembly into the steering column until it clicks into place.

12. Loosely tighten the new shear bolt.

NOTE: Make sure the projection on the ignition switch is aligned with the hole in the steering column.

13. Insert the ignition key and check for proper operation of the steering wheel lock and that ignition key turns freely.

14. Tighten the shear bolt until the hex head twists off.

