

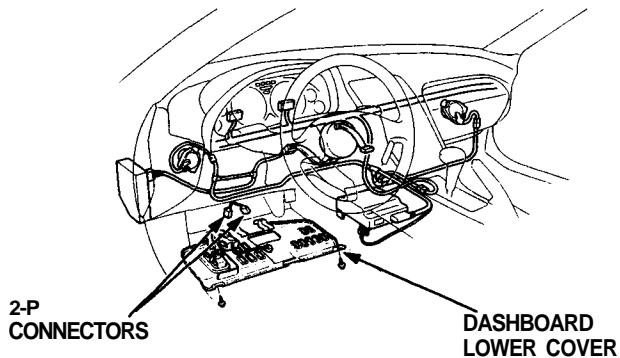
Lighting System

Lighting Switch Replacement

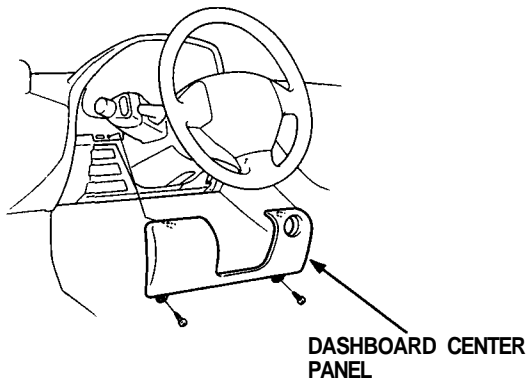
CAUTION:

- All SRS electrical wiring harnesses are covered with yellow outer insulation.
- Before disconnecting the SRS wire harness, install the short connector on the airbag (see page 23-323).
- Replace the entire affected SRS harness assembly if it has an open circuit or damaged wiring.

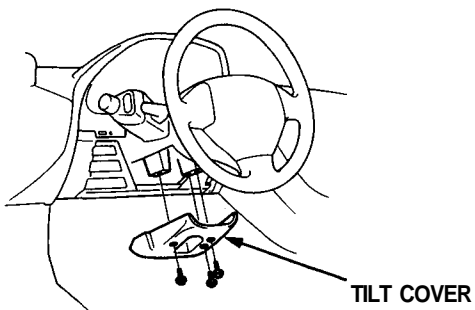
1. Remove the dashboard lower cover and disconnect the 2-P connectors from the floor wire harness.



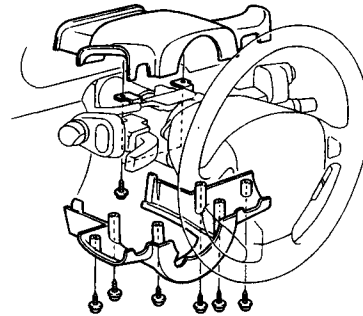
2. Remove the dashboard center panel.



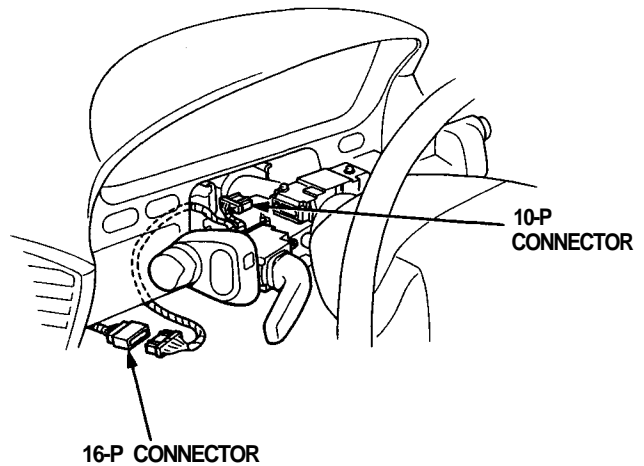
3. Remove the tilt cover.



4. Remove the steering column lower cover and upper cover.

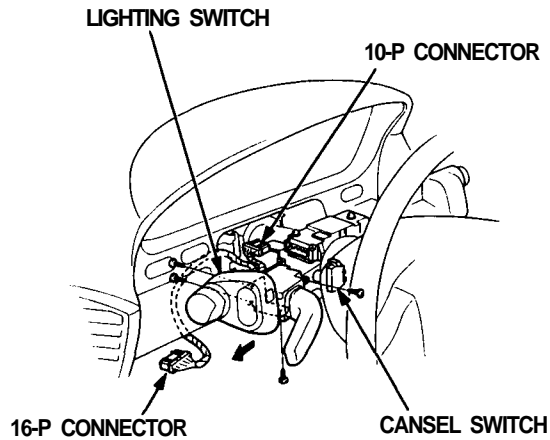


5. Disconnect the 16-P connector and 10-P connector.

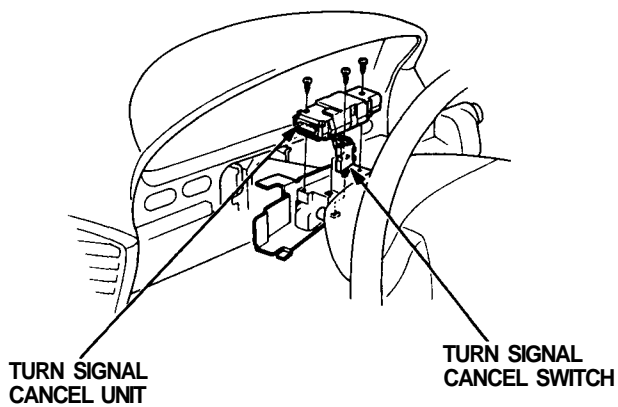




6. Remove the 4 screws from the lighting switch.
7. Disconnect the 10-P connector from the cancel unit, then remove the lighting switch.

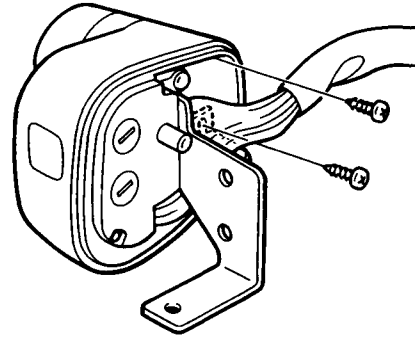


8. If necessary, remove the cancel unit and cancel switch.



Lighting Switch Light Bulb Replacement

1. Remove the steering column covers.
2. Remove the 2 screws.



3. Slide the lighting switch out of the housing as shown.
4. Remove the bulb from the lighting switch by turning the bulb 45°.

